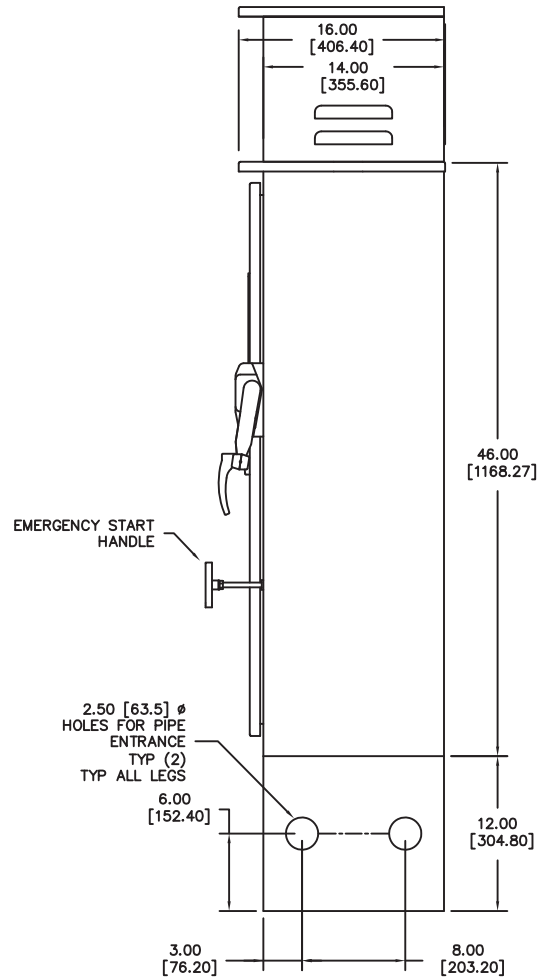
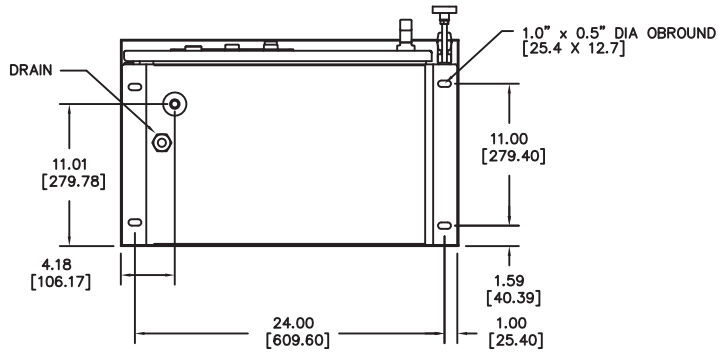


FRONT VIEW

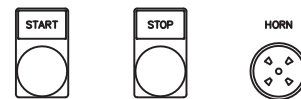
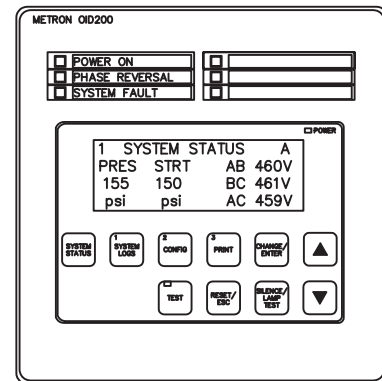


SIDE VIEW



BOTTOM VIEW

PILOT DEVICE DETAIL



"X" DIMENSION

VOLTAGE	HORSEPOWER	VOLTAGE	HP	X	HP	X	HP	X
200V	15-60 HP.	200V	15-50	10"	60	16"	NA	NA
208V	15-75 HP.	208V	15-50	10"	60-75	16"	NA	NA
230V	15-75 HP.	230V	15-50	10"	60-75	16"	NA	NA
380V	15-125 HP.	380V	15-50	10"	60-100	16"	125	22"
460V	15-150 HP.	460V	15-50	10"	60-100	16"	125-150	22"

NOTES:
1. ALL DIMENSIONS IN INCHES AND MILLIMETERS ([]).

NEMA 2 ENCLOSURE.

DRAWN <i>MLK</i>	3-20-05	METRON A Division of: Hubbell ICD, Inc.		
	CHECK <i>RL</i>			3-25-05
	APPD <i>JB</i>			3-25-05
ENCLOSURE DIMENSIONS MODEL MP400 26"x46" CABINET ELECTRIC FIRE PUMP CONTROLLER		OPTIONS: CD33983E		
SCALE N.T.S.		SHEET 1 OF 1		